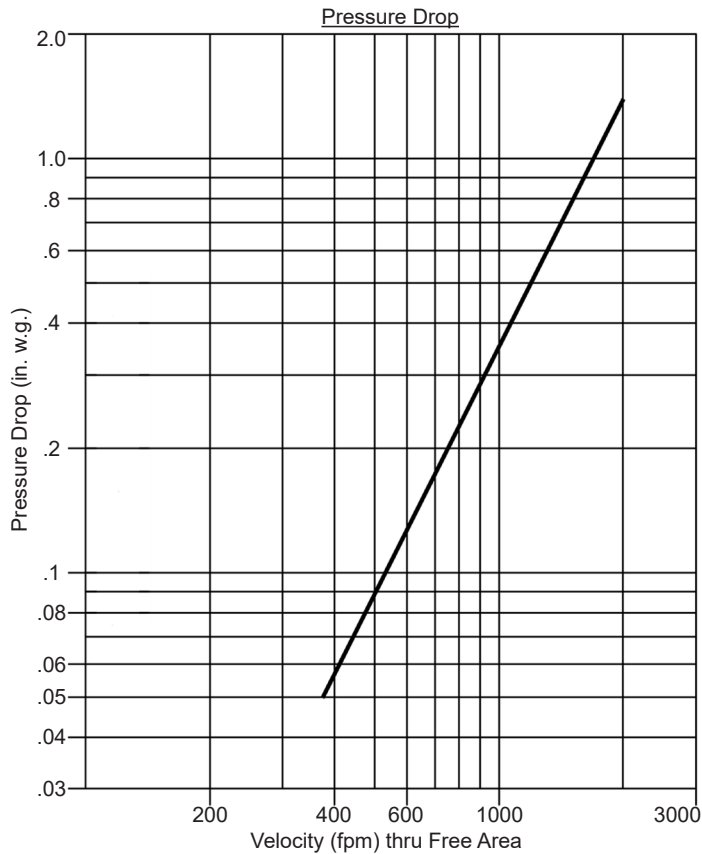


AS5V99HF

PERFORMANCE DATA

		Free Area sq.ft. (sq.m.)								
		Width in. (mm)								
		12" (305)	24" (610)	36" (914)	48" (1219)	60" (1524)	72" (1829)	78" (1981)	84" (2134)	90" (2286)
Height in. (mm)	12" (305)	0.23 (0.021)	0.79 (0.073)	1.34 (0.124)	1.88 (0.175)	2.44 (0.227)	2.99 (0.278)	3.26 (0.303)	3.53 (0.328)	3.72 (0.345)
	24" (610)	0.47 (0.043)	1.63 (0.152)	2.76 (0.256)	3.88 (0.361)	5.05 (0.469)	6.18 (0.574)	6.74 (0.626)	7.30 (0.678)	7.68 (0.714)
	36" (914)	0.71 (0.066)	2.48 (0.230)	4.18 (0.389)	5.89 (0.547)	7.66 (0.711)	9.36 (0.870)	10.22 (0.949)	11.07 (1.028)	11.65 (1.082)
	48" (1219)	0.95 (0.088)	3.32 (0.308)	5.61 (0.521)	7.89 (0.733)	10.26 (0.953)	12.55 (1.166)	13.69 (1.272)	14.84 (1.378)	15.61 (1.450)
	60" (1524)	1.19 (0.111)	4.16 (0.387)	7.03 (0.653)	9.90 (0.920)	12.87 (1.196)	15.74 (1.462)	17.17 (1.595)	18.61 (1.728)	19.58 (1.819)
	72" (1829)	1.43 (0.133)	5.01 (0.465)	8.46 (0.786)	11.90 (1.106)	15.48 (1.438)	18.93 (1.758)	20.65 (1.918)	22.37 (2.078)	23.54 (2.187)
	78" (1981)	1.56 (0.145)	5.43 (0.504)	9.17 (0.852)	12.91 (1.199)	16.78 (1.559)	20.52 (1.906)	22.39 (2.080)	26.14 (2.429)	27.51 (2.555)
	84" (2134)	1.68 (0.156)	5.85 (0.543)	9.88 (0.918)	13.91 (1.292)	18.08 (1.680)	22.11 (2.054)	24.13 (2.241)	28.03 (2.604)	27.51 (2.555)
	90" (2286)	1.80 (0.167)	6.27 (0.583)	10.59 (0.984)	14.91 (1.385)	19.39 (1.801)	23.71 (2.202)	25.86 (2.403)	27.16 (2.523)	29.49 (2.739)



Standard Air - .075 lbs per cu.ft.
 Ratings do not include the effect of a screen.
 Tests based on a 48" x 48" test size.

Fastener Schedule

Anchor Type	Substrate	Minimum Embedment	Minimum Edge Dist.
(1) ½" x 3" Red Head LDT	CMU	2½"	3¼"
(1) ½" x 3" Red Head LDT	Concrete	2½"	3¼"
(2) 2" x ½" Grade 5 Bolt	Steel	Full	¾"

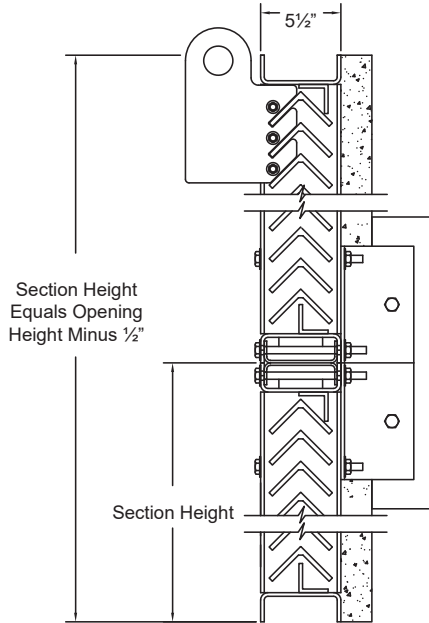
(1) Concrete screws shall be Red Head LDT Zinc Coated Concrete Screws.
 (2) Bolts shall be a minimum Grade 5.

Note to Occupants:

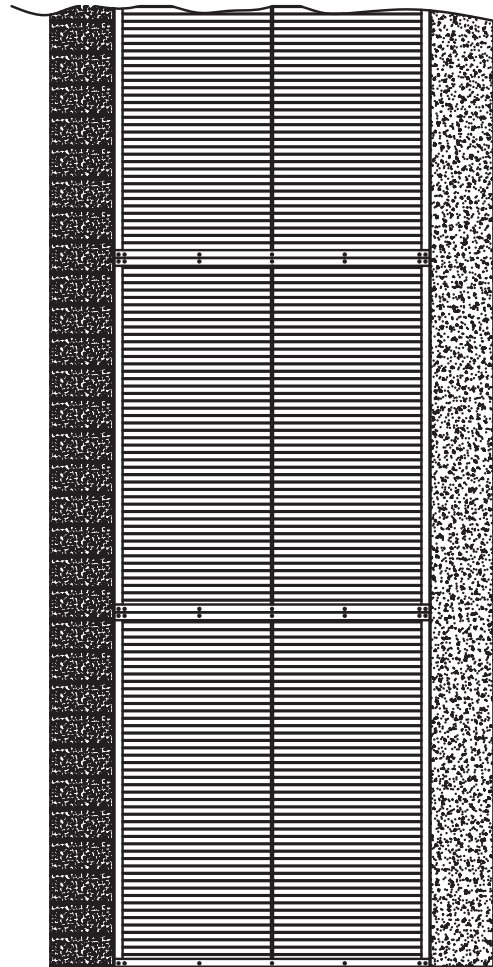
Keep occupants and mechanical equipment to a minimum of 3 feet away from Model AS5V99HF louvers during severe weather events.

AS5V99HF

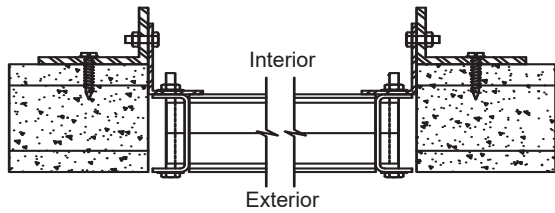
LOUVER JAMB MOUNTING DETAILS



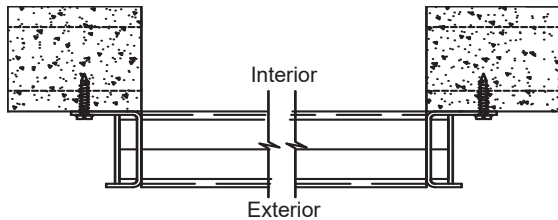
Model AS5V99HF
Section View
Recessed Frame Shown



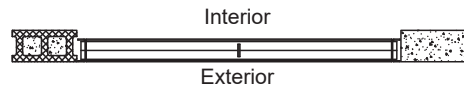
Model AS5V99HF
Elevation



Model AS5V99HF
Recessed Mount in Opening



Model AS5V99HF
Cantilevered at Opening



Model AS5V99HF
Plan View

AS5V99HF

LOUVER HEAD AND SILL MOUNTING DETAILS

